

Product Information

Decentral Periphery Interface DP311C



(valid from 2012)

Description

decentral head station for
periphery modules

35mm DIN Rail

- DP311C with 11 free
periphery slots

Head station „ConnectLine“

- communication to PLC
with a protocol
compatible
to CANopen®
- with switchable terminate
resistors for CAN

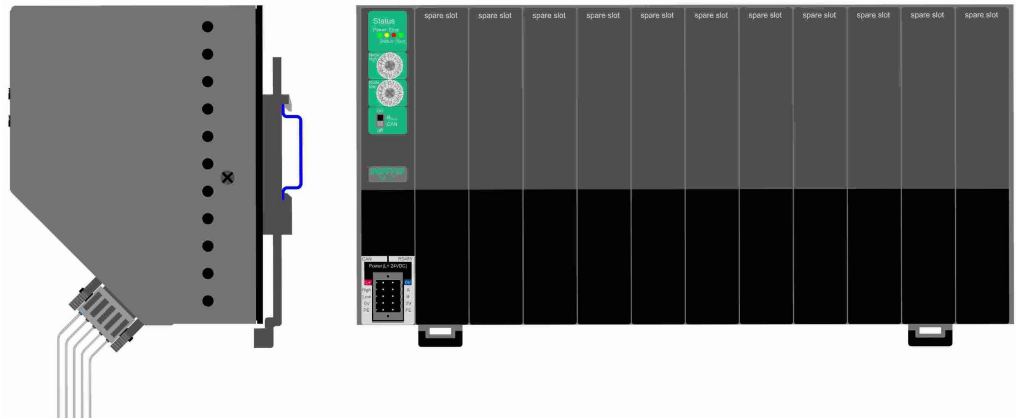


figure above: Sample of decentral head station DP311C from read sid and from the side

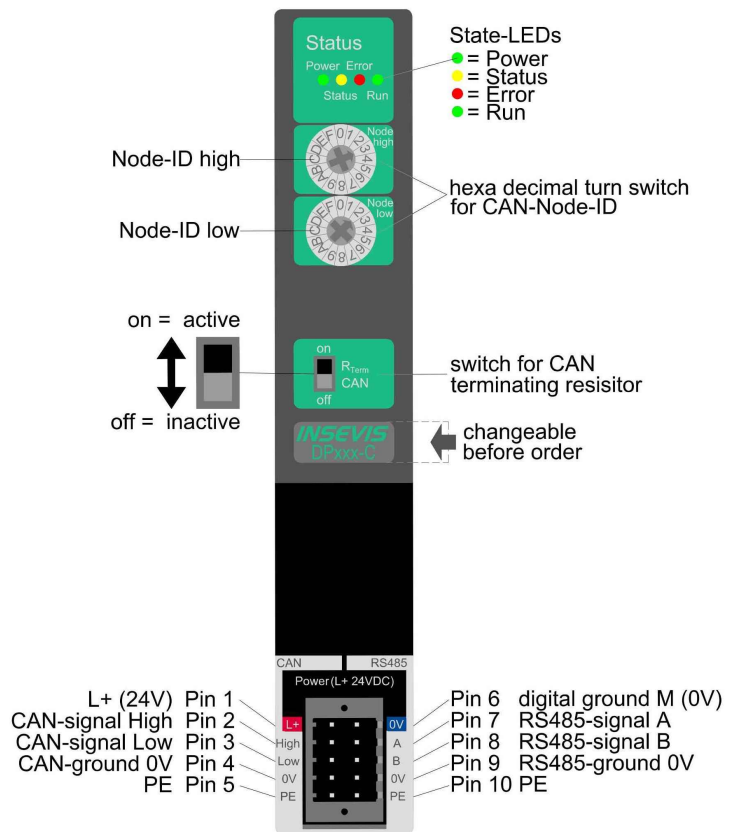




figure above: Description of all connections of all decentral interface stations „ConnectLine“

Technical data	
Dimension W x H x D (mm) Weight	242 x 116,5 x 92 ca. 800g
Mounting IP-leak protection class	to clip on a 35mm DIN-rail IP41
Operating temperature range Storage temperature range	-20°C ... +60°C (without condensation) -30°C ... +80°C
Connection technology	unlockable connector with self-lock and 2 lift-arms (cage clamp technology) for cross section up to max. 1mm ²
Load voltage L+	24V DC (11 ... 30V DC)
Current consumption Power dissipation	20 mA ... 275 mA 0,5 W (typ.), 4,5 W (max.)
Start-up current	< 3A
Periphery slots	11 free slots for INSEVIS-periphery modules

Documentation and samples			
 Doku	Internet: www.insevis.de Box: Products / Periphery Download: TI-DPxxxx.pdf Box: Documentation Download: Manual Periphery.pdf	 Demo	Internet: www.insevis.de Box: Service Periphery INSEVIS provides sample programs for each function, well documented for free download

Ordering data device		
Identification	Order-no.	Packaging unit
interface station for decentral periphery DP311C	DP311C-02	PU: 1 piece

Ordering data accessoires	
Identification / Order-No.	Identification / Order-No.
Connector 2x5pin (for PLC) / E-CON10-00	Shield cable support for PM7-C (for DP311C) / E-CONPEC11-00
Inserting stripe V for logo and identification for rear side (PU100 pcs.)	

Copyright

This and all other documentation and software, supplied or hosted on INSEVIS web sites to download are copyrighted. Any duplicating of these data in any way without express approval by INSEVIS GmbH is not permitted. All property and copy rights of these documentation and software and every copy of it are reserved to INSEVIS GmbH.

Trade Marks

INSEVIS refers that all trade marks of particular companies used in own documentation as e.g.
 - STEP®, SIMATIC® and other as reserved trade mark of SIEMENS AG.
 - CANopen® and other as reserved trade mark of CAN in Automation eG
 and more reserved trade marks are property of the particular owners and are subjected to common protection of trade marks.

Disclaimer

All technical details in this documentation were created by INSEVIS with highest diligence. Anyhow mistakes could not be excluded, so no responsibility is taken by INSEVIS for the complete correctness of this information. This documentation will reviewed regularly and necessary corrections will be done in next version.

With publication of this catalog all other versions are no longer valid.